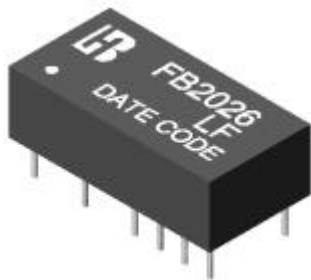


**P/N:FB2026 LF DATA SHEET****Feature**

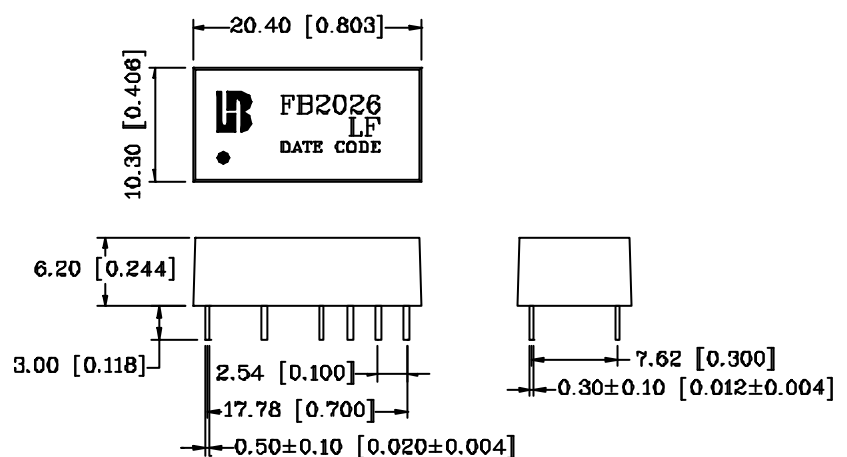
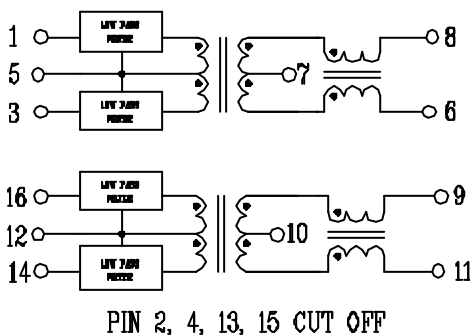
- Fully integrated 10Base-T module for adapter, hub, and Motherboard applications.
- Designed to meet IEEE802.3 Base-T specifications.
- Low profile surface mount package.
- Comply with RoHS requirements-whole part No Cd, No Hg, No Cr6+, No PBB and PBDE and No Pb on external pins.
- Operating temperature range: 0 to +70 .
- Storage temperature range: -25 to +125 .

Electrical Specifications @ 25° C

Part Number	Turns Ratio (±5%)		Attenuation (dB Min)			Cross talk (dB Min)	HI-POT (Vrms)
	TX	RX	30MHz	50MHz	100MHz		
FB2026 LF	1CT:1CT	1CT:1CT	-30	-35	-35	-35	1500

Continue

Part Number	Insertion Loss (dB Max)	Return Loss (dB Min)@ 5-10MHz	CMR (dB Min)				
			10MHz	5-10 MHz	50 MHz	100MHz	200 MHz
FB2026 LF	-1.0	-15	-15	-60	-55	-50	-45

Schematic**Mechanical**

Units: mm [Inches] Tolerances: xx.x0±0.25 [0.010]
0.xx±0.05 [0.002]